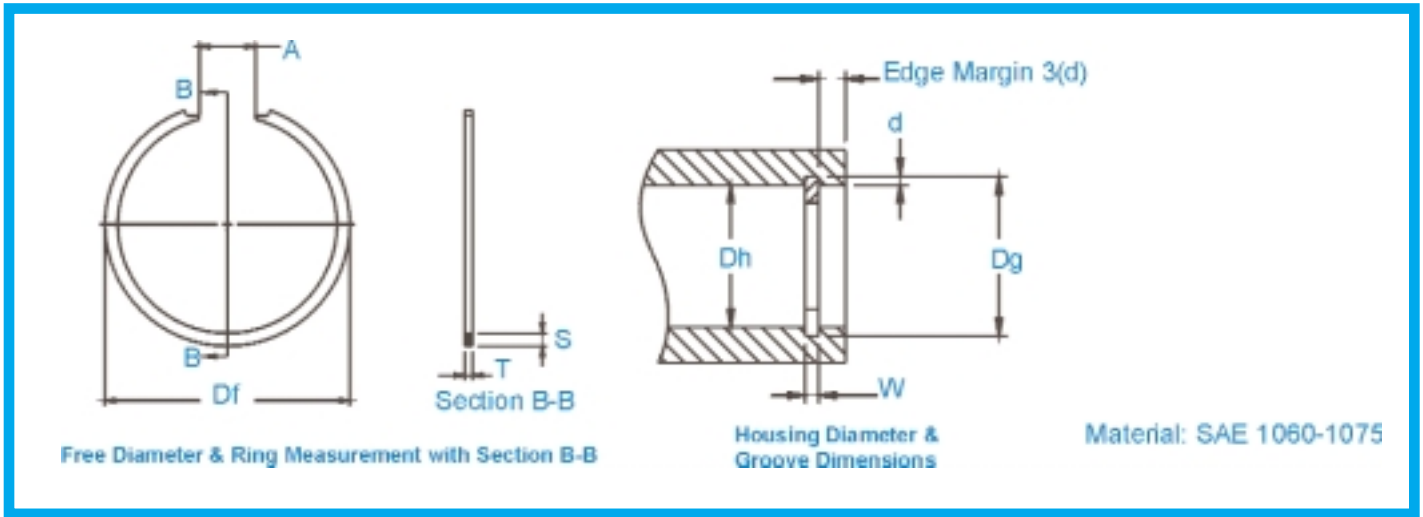


# HN Internal Constant Section Rings

for Needle Bearings



RING SIZE	HOUSING DIAMETER			GROOVE SIZE			RING DIMENSIONS						ALLOWABLE STATIC THRUST LOAD (Lbs.)				
	Dh DEC	Dh FRACT.	Dh mm	DIAMETER		DEPTH	FREE DIAMETER		THICKNESS T ± .002	SECTION		FREE GAP					
				Dgr	TOL.		W	d		Df	TOL.	S		TOL.	A Min	A Max	
HN-112	1.12	1 1/8	28.58	1.18	± .005	.046	.028	1.196	+ .031	.042	.093	± .003	.375	.562	1100		
HN-125	1.25	1 1/4	31.75	1.31			.030	1.330		.042	.093		.375	.562	1360		
HN-137	1.37	1 3/8	34.93	1.43			.030	1.460		.042	.093		.375	.562	1600		
HN-150	1.50	1 1/2	38.10	1.58			.040	1.600	.042	.125	.375	.562	1900				
HN-162	1.62	1 5/8	41.28	1.70			.040	1.725	.042	.125	.437	.750	1930				
HN-175	1.75	1 3/4	44.45	1.83			.040	1.855	.042	.125	.437	.750	1960				
HN-187	1.87	1 7/8	47.63	1.96			.045	1.990	.042	.156	.437	.750	2090				
HN-200	2.00	2	50.80	2.09			.045	2.115	.042	.156	.437	.750	2200				
HN-206	2.06	2 1/16	52.37	2.15			.045	2.177	.042	.156	.437	.750	2340				
HN-218	2.18	2 3/16	55.55	2.27			.045	2.302	.042	.156	.437	.750	2700				
HN-231	2.31	2 5/16	58.72	2.40			.045	2.432	.042	.156	.437	.750	2900				
HN-243	2.43	2 7/16	61.90	2.52			.045	2.557	.042	.156	.437	.750	3000				
HN-256	2.56	2 9/16	65.07	2.65			.045	2.682	.042	.156	.437	.750	3200				
HN-300	3.00	3	76.20	3.12			± .006	.068	.062	3.154	+ .078	.062	.187	± .005	.562	.938	6250
HN-325	3.25	3 1/4	82.55	3.37					.062	3.404		.062	.187		.562	.938	6500
HN-350	3.50	3 1/2	88.90	3.62					.062	3.654		.062	.187		.562	.938	6700
HN-375	3.75	3 3/4	95.25	3.87	.062	3.904			.062	.187	.562	.938	6100				
HN-400	4.00	4	101.6	4.12	.062	4.155			.062	.187	.562	.938	7000				
HN-425	4.25	4 1/4	107.9	4.39	.072	4.429			.078	.218	.625	1.062	9100				
HN-450	4.50	4 1/2	114.3	4.64	.072	4.679			.078	.218	.625	1.062	9400				
HN-475	4.75	4 3/4	120.6	4.89	.072	4.929			.078	.218	.625	1.062	9200				
HN-500	5.00	5	127.0	5.14	.072	5.184			.078	.218	.625	1.062	9000				
HN-525	5.25	5 1/4	133.3	5.39	.072	5.434			.078	.218	.625	1.062	8800				
HN-575	5.75	5 3/4	146.0	5.89	.072	5.934			.078	.218	.625	1.062	8950				
HN-600	6.00	6	152.4	6.16	.080	6.220			.093	.250	.875	1.437	9000				
HN-650	6.50	6 1/2	165.1	6.66	.080	6.730			.093	.250	.875	1.437	7500				
HN-700	7.00	7	177.8	7.16	.080	7.240			.093	.250	.875	1.437	6200				
HN-725	7.25	7 1/4	184.1	7.41	± .008	.000			.080	7.500	+ .187	.093	.250	± .005	1.000	1.750	6100
HN-750	7.50	7 1/2	190.5	7.66					.080	7.760		.093	.250		1.000	1.750	6000
HN-800	8.00	8	203.2	8.16			.080	8.285	.093	.250		1.000	1.750		5700		

Hardness: All Ring Sizes-HRC 42-52

For alternate cutoff styles, contact Rotor Clip Technical Sales at 1-800-557-6867 (E-mail: tech@rotorclip.com)