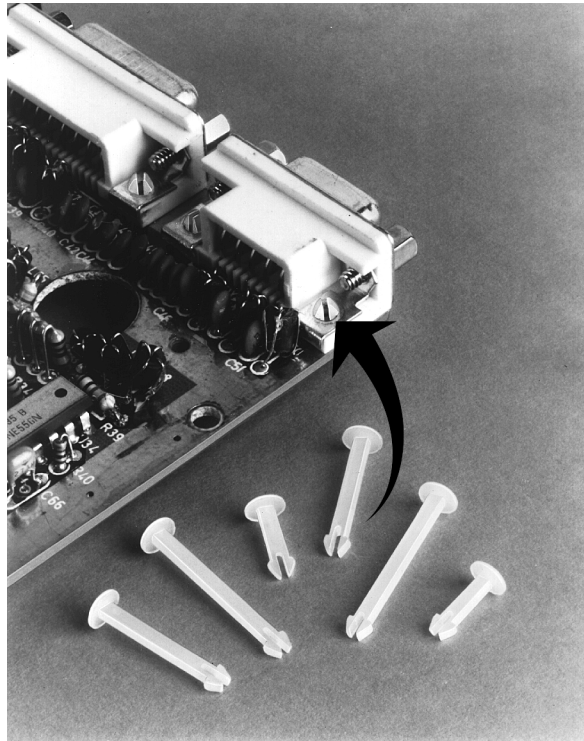


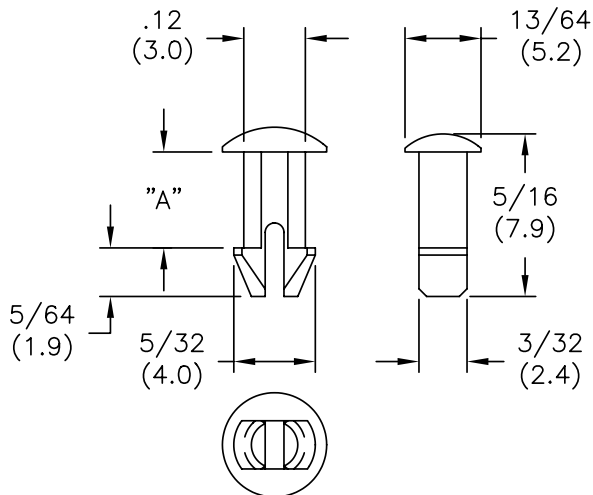


SNAP LOCK PIN

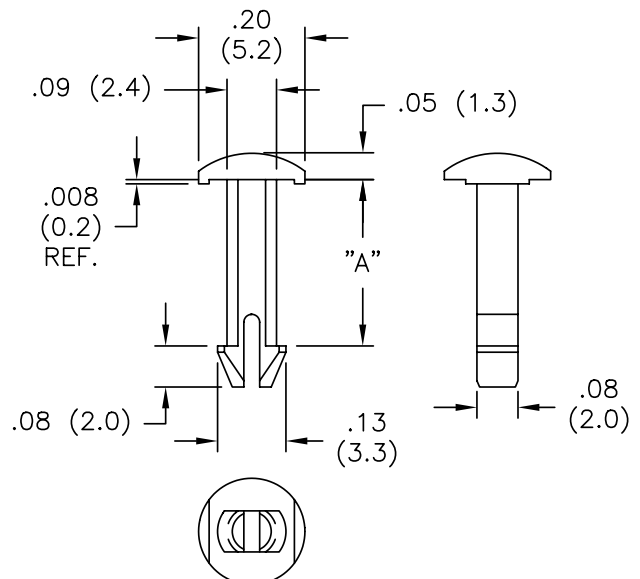


- Attach connectors to printed circuit boards ready for wave soldering.
- Fast, convenient, and inexpensive for lightweight applications.
- Secure locking end.
- Easily installed; no tools required.
- Low profile attractive button head.
- Material: Nylon 6/6.
- Color: Natural.

PART NO.	STYLE	"A" LENGTH	HOLE SIZE
9990	1	.187 (4.75)	.125 (3.18)
9991	2	.177 (4.50)	.100 (2.54)
9992	2	.307 (7.80)	.100 (2.54)
9993	2	.316 (8.03)	.100 (2.54)
9994	2	.638 (16.20)	.100 (2.54)



STYLE 1



STYLE 2