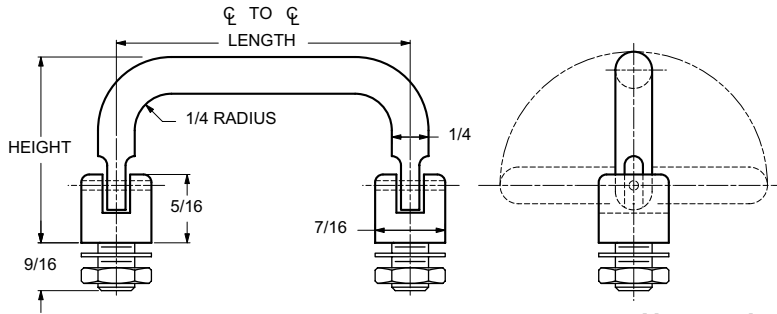


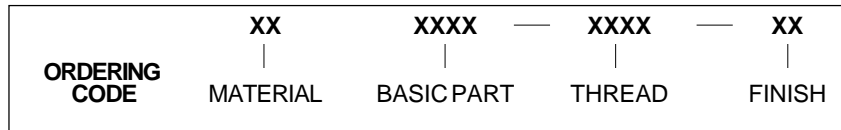


1/4 ROUND 180° INFINITE POSITION HANDLES

EXTERNAL THREAD



Nuts and washers are supplied



MATERIAL	CODE
ALUMINUM	AL
BRASS	BR
STAINLESS STEEL	SS
STEEL	ST

THREAD SIZE	THREAD CODE
1/4-28	2528
5/16-24	3124

LENGTH ℄ TO ℄ ±1/32	LEG HEIGHT ±1/32	BASIC PART NUMBER
3"		1670
3-1/2"		1671
4"		1672
4-1/2"	1.460	1673
5"		1674
6"		1675
7"		1676

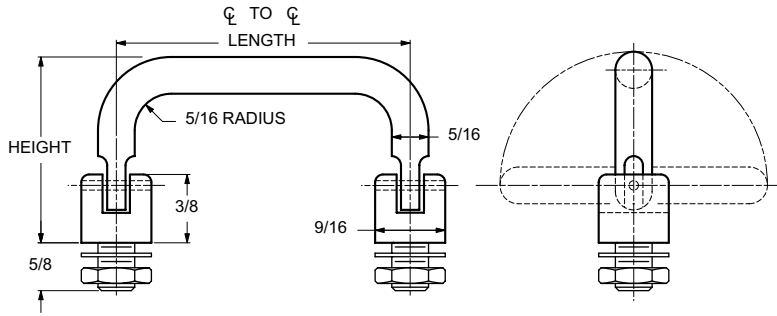
E29

CODE	FINISH	CODE	FINISH
00	Plain — None	21	Iridite MIL-C-5541 — Clear
01	Passivate MIL-F-14072-E300	22	Iridite MIL-C-5541 — Gold #14
02	Caustic Etch	31	Cadmium QQ-P-416, CL 2 — Clear Chromate
12	Anodize MIL-A-8625C, Type II Sulphuric Hot Water Seal — Clear	32	Cadmium QQ-P-416, CL 2 — Color Chromate
13	Anodize MIL-A-8625C, Type II Sulphuric Dichromate Seal — Yellow Green	34	Zinc QQ-Z-325, Type II, CL 3 — Clear Chromate
14	Anodize MIL-A-8625C — Black	36	Zinc QQ-Z-325, Type II, CL 3 — Yellow Chromate
15	Semi-Frost Anodize — Clear	51	Black Oxide MIL-F-495 — Brass
16	Semi-Frost Anodize — Black	52	Black Oxide MIL-C-13924 — Stainless Steel
17	Satin Anodize — Clear	61	Nickel QQ-N-290 CL 1, Type VI KC
18	Satin Anodize — Black	62	Black Nickel
		71	Chrome QQ-C-320 CL 1, Type 1 — Bright
		72	Chrome QQ-C-320 CL 1, Type 1 — Satin

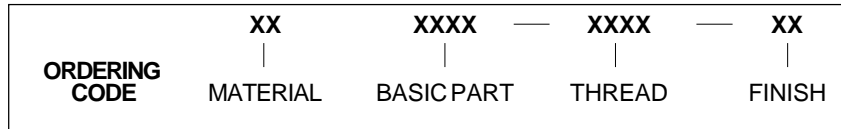


5/16 ROUND 180° INFINITE POSITION HANDLES

EXTERNAL THREAD



Nuts and washers are supplied



MATERIAL	CODE
ALUMINUM	AL
BRASS	BR
STAINLESS STEEL	SS
STEEL	ST

THREAD SIZE	THREAD CODE
5/16-24	3124
3/8-24	3724

LENGTH ℄ TO ℄ ±1/32	LEG HEIGHT ±1/32	BASIC PART NUMBER
3"		1677
3-1/2"		1678
4"		1679
4-1/2"	1.620	1680
5"		1681
6"		1682
7"		1683

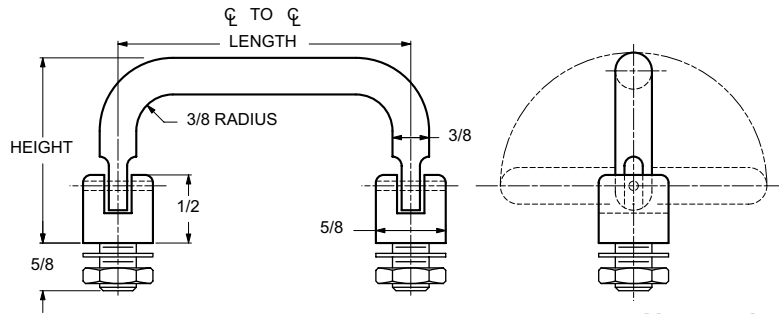
CODE	FINISH	CODE	FINISH
00	Plain — None	21	Iridite MIL-C-5541 — Clear
01	Passivate MIL-F-14072-E300	22	Iridite MIL-C-5541 — Gold #14
02	Caustic Etch	31	Cadmium QQ-P-416, CL 2 — Clear Chromate
12	Anodize MIL-A-8625C, Type II Sulphuric Hot Water Seal — Clear	32	Cadmium QQ-P-416, CL 2 — Color Chromate
13	Anodize MIL-A-8625C, Type II Sulphuric Dichromate Seal — Yellow Green	34	Zinc QQ-Z-325, Type II, CL 3 — Clear Chromate
14	Anodize MIL-A-8625C — Black	36	Zinc QQ-Z-325, Type II, CL 3 — Yellow Chromate
15	Semi-Frost Anodize — Clear	51	Black Oxide MIL-F-495 — Brass
16	Semi-Frost Anodize — Black	52	Black Oxide MIL-C-13924 — Stainless Steel
17	Satin Anodize — Clear	61	Nickel QQ-N-290 CL 1, Type VI KC
18	Satin Anodize — Black	62	Black Nickel
		71	Chrome QQ-C-320 CL 1, Type 1 — Bright
		72	Chrome QQ-C-320 CL 1, Type 1 — Satin

E30

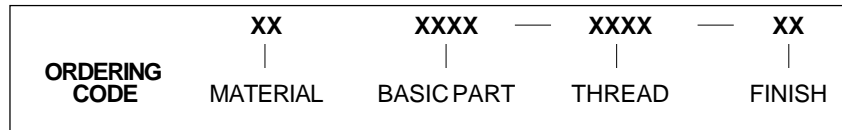


3/8 ROUND 180° INFINITE POSITION HANDLES

EXTERNAL THREAD



Nuts and washers are supplied



MATERIAL	CODE
ALUMINUM	AL
BRASS	BR
STAINLESS STEEL	SS
STEEL	ST

THREAD SIZE	THREAD CODE
5/16-24	3124
3/8-24	3724

LENGTH ℄ TO ℄ ±1/32	LEG HEIGHT ±1/32	BASIC PART NUMBER
3"		1684
3-1/2"		1685
4"		1686
4-1/2"	1.810	1687
5"		1688
6"		1689
7"		1690

E31

CODE	FINISH	CODE	FINISH
00	Plain — None	21	Iridite MIL-C-5541 — Clear
01	Passivate MIL-F-14072-E300	22	Iridite MIL-C-5541 — Gold #14
02	Caustic Etch	31	Cadmium QQ-P-416, CL 2 — Clear Chromate
12	Anodize MIL-A-8625C, Type II Sulphuric Hot Water Seal — Clear	32	Cadmium QQ-P-416, CL 2 — Color Chromate
13	Anodize MIL-A-8625C, Type II Sulphuric Dichromate Seal — Yellow Green	34	Zinc QQ-Z-325, Type II, CL 3 — Clear Chromate
14	Anodize MIL-A-8625C — Black	36	Zinc QQ-Z-325, Type II, CL 3 — Yellow Chromate
15	Semi-Frost Anodize — Clear	51	Black Oxide MIL-F-495 — Brass
16	Semi-Frost Anodize — Black	52	Black Oxide MIL-C-13924 — Stainless Steel
17	Satin Anodize — Clear	61	Nickel QQ-N-290 CL 1, Type VI KC
18	Satin Anodize — Black	62	Black Nickel
		71	Chrome QQ-C-320 CL 1, Type 1 — Bright
		72	Chrome QQ-C-320 CL 1, Type 1 — Satin