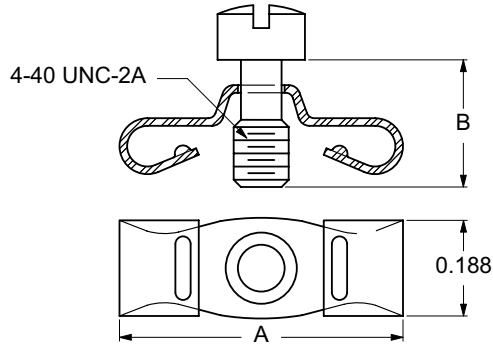




MALE SCREW-LOCK ASSEMBLY



PARTNUMBERS		A LENGTH	B LENGTH	CONNECTOR SIZE	CLIP	SCREW
KIT	BULK					
ST9300-36	ST9301-36	.55	.25	E, A, B, C	ST001-36	ST9300-36
ST9302-36	ST9303-36		.28	E, A, B, C	ST001-36	ST9301-36
ST9306-36	ST9307-36		.31	E, A, B, C	ST001-36	ST9302-36

MATERIAL: Screws — Cold Rolled Steel
Retaining Clips — Sheet Steel

FINISHES: Zinc Plate — Yellow Chromate, Other Finishes Available

NOTES:

- Two assemblies are required per connector.
- Each kit contains 2 retaining clips & 2 screws in a bag.
- Bulk quantities — each type part is separately packaged.
- All parts are shipped unassembled.
- Retaining clips must be assembled onto connector flange with threaded hole toward wire (cable) side of connector.
- A 6'' lb. (female) and 4'' lb. (male) maximum assembly torque is recommended for steel screw locks.
- Male screw locks mate with female screw locks. See pages G7 to G10.
- All dimensions are for reference only. Tolerances are to manufacturer's standards.